

Main Features :-

Full bore ball valve	Available with single acting
Stainless Steel CF8M	Double acting actuator
Option of Jacketed version	Switchbox
RPTFE seats and Viton seals	Solenoid
Carbon Steel version option	Electro pneumatic positioner
1/2" to 4"	Assembled and Tested
To suit PN16 flanges	8 bar rated



TYPE: 909P PNEUMATIC

Technical Specifications and Key Dimensions:

Specifications:	
Actuator housing:	Hard anodised aluminium
Actuator ATEX rating:	ATEX II 2GD EExd
Actuator Temp rating:	-20 +80C
Actuator pressure rating:	8 bar Max
Valve Approval:	None
Valve ends available:	Flanged PN16
Size range:	1/2" to 4"
Valve temp limits:	-25 to +180C
Valve pressure limits:	16 bar at ambient temperature

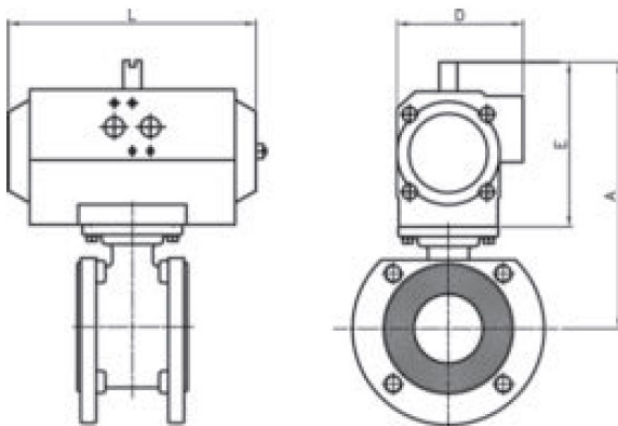
Assembly Overview:-

A cost effective pneumatically operated stainless ball valve available in double acting (air to open air to close) or single acting (failsafe, air to open spring to close). Wafer pattern ball valves are ideal for restrictive spaces, benefit of a butterfly valve in a full bore ball valve.

Don't forget your Switchboxes and / or Solenoid valve, positioner.



Brands of Wafer valves we can offer:



Size	Double Acting		Single Acting	
	F	H	F	H
1"	50	138	50	138
1 1/4"	53	141	53	153
1 1/2"	65	165	65	165
2"	78	178	78	186
2 1/2"	98	198	98	218
3"	118	238	118	251
4"	140	295	140	295

Did you know?

We can offer the above assembly with a stainless mounting kit for temperature applications above 70+C. Note this typically adds 50-70mm to the overall height of the assembly - dimension H above.

ISO 9001:2015 Accredited Company

Tel: +44(0)1386 552369

Fax: +44(0)1386 554227

sales@allvalves.co.uk

www.allvalves.co.uk

Allvalves Online Ltd, Automation House, Unit 2, Pershore, WR10 2DF UK